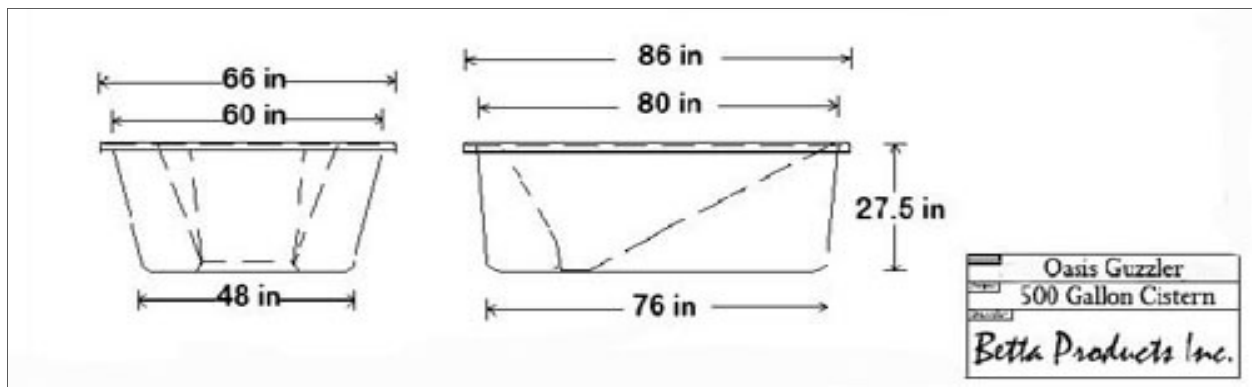
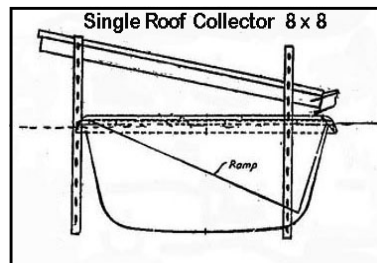


Guzzler Installation Instructions

- 1) A 7ft x 5 ft x 28 in. hole will be required for the 500 gallon guzzler reservoir.
- 2) Hole should be as free as possible of sharp rocks and sticks. Sand and gravel is best but not required.
- 3) Place the tank into the hole. Check for even support and level with carpenters level.
- 4) Position the lip of the cistern about 2" above the ground. Backfill soil in around cistern sidewalls and up to the top lip. This should supply adequate slope for runoff. Lightly compact soil for support.
- 5) Place lid on tank.
- 6) Begin the construction of your chosen collector roof system.



Collector Plans Available By Mail Or Web Site www.OasisGuzzlers.com



Two Sided Collector 4 x 8 Each Side

